

MSI-8000HD

Digital Weight Indicator



Approvals

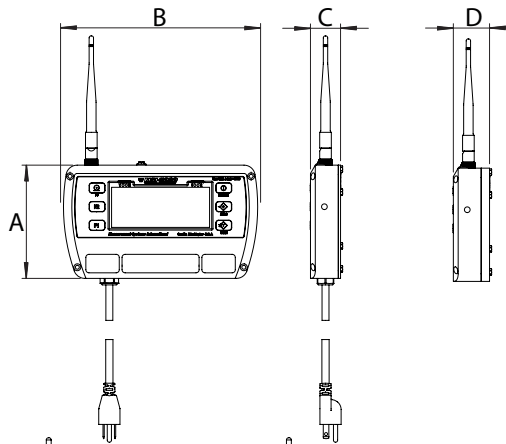


Standard Features

- Compatible with all ScaleCore™-based products including: MSI-7300 Dyna-Link 2, MSI-3460 Challenger 3, MSI-4260 Port-A-Weigh, MSI-7000 and MSI-7001 TranSend™, MSI-9600HT and MSI-6360
- LCD display
- IP68 milled aluminum enclosure
- Time and date
- Membrane keypad for remote-control functionality
- User-definable function keys for added versatility
- Swivel tilt stand

Dimensions

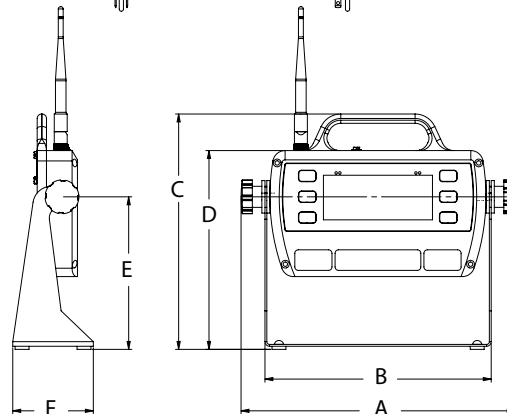
A	5.09 in (129 mm)
B	8.98 in (228 mm)
C	1.35 in (34 mm)
D	1.63 in (41 mm)



Dimensions

With Tilt Stand

A	11.06 in (281 mm)
B	9.13 in (232 mm)
C	9.50 in (241 mm)
D	8.02 in (204 mm)
E	6.16 in (156 mm)
F	3.25 in (83 mm)



Options

(Contact MSI for application consultation)

- Up to 8 configurable relay outputs
- Wi-Fi communications
- 802.15.4 Serial RF
- FHSS
- Wired Ethernet

Specifications

Power:

90-267 VAC, 9-36 VDC, 18-72 VDC, 120-300 VDC
Optional battery power module available

Excitation Voltage:

4.8V current limited and over-voltage protected

RF Remote Channels:

Up to four remote sensors, monitored individually, in pairs or sum all (non-A/D version only)

Service Counters:

A/D version only

A/D Inputs:

Two independent or summing load cell inputs

Filtering:

Off, Low, Hi-1, Hi-2

RF Radio Link:

2.4 GHz 802.15.4

Compatible with all ScaleCore™ based products including:

MSI-7300 Dyna-Link 2, MSI-3460 Challenger 3, MSI-4260 Port-A-Weigh, MSI-7000 and MSI-7001

RF Effective Range:

Typically 100 to 300 ft, line of sight; for longer range consult factory

Communication Ports:

Dual RS-232 communication ports

Optional Communications:

Wi-Fi

Serial RF (Single Sequence or FHSS)

Annunciators:

Stable, COZ, peak, kg, kN, lb, M, ton, setpoint, function LEDs

Channels: 1, 2, 3, 4, TTL

Display:

Six-digit 1.0 in (26.4 mm) LCD

Units Displayed:

Pounds, kilograms, tons, metric tons, kilonewtons

Keys/Buttons:

On/Off, Zero (100%), Tare, Print, and Two user-defined keys for the following functions: peak hold, high resolution, total, view total, net/gross, units switching

Rating/Material:

Enclosure: NEMA Type 4, IP68 milled anodized aluminum with O-ring gaskets

Temperature Range:

Operating: -4 °F to 140 °F (-20 °C to 60 °C)

Certified: 14 °F to 104 °F (-10 °C to 40 °C)

Warranty:

One-year limited

Approvals:

NTEP CC 15-110 (-10 °C to 40 °C)

Part Number/Price

Part #	Description	Est. Weight	Price
153591	MSI-8000HD ScaleCore RF/Remote Display/85-265 VAC	5 lb (2.5 kg)	Consult
154853	MSI-8000HD ScaleCore RF/Remote Display/Internal Battery	5 lb (2.5 kg)	Consult
160476	MSI-8000HD ScaleCore RF/Remote Display/7-36 VDC	5 lb (2.5 kg)	Consult
159377	MSI-8000HD ScaleCore RF/Remote Display/18-72 VDC	5 lb (2.5 kg)	Consult
159376	MSI-8000HD ScaleCore RF/Remote Display/9-36 VDC	5 lb (2.5 kg)	Consult
158427	MSI-8000HD Meter/2 A/D Inputs/85-265 VAC (non RF)	5 lb (2.5 kg)	Consult
158428	MSI-8000HD Meter/2 A/D Inputs/Internal Battery (non RF)	5 lb (2.5 kg)	Consult
160478	MSI-8000HD Meter/2 A/D Inputs/7-36 VDC (non RF)	5 lb (2.5 kg)	Consult
159381	MSI-8000HD Meter/2 A/D Inputs/18-72 VDC (non RF)	5 lb (2.5 kg)	Consult
159380	MSI-8000HD Meter/2 A/D Inputs/9-36 VDC (non RF)	5 lb (2.5 kg)	Consult
158425	MSI-8000HD RF Meter/2 A/D Inputs/85-265 VAC	5 lb (2.5 kg)	Consult
158426	MSI-8000HD RF Meter/2 A/D Inputs/Internal Battery	5 lb (2.5 kg)	Consult
160477	MSI-8000HD RF Meter/2 A/D Inputs/7-36 VDC	5 lb (2.5 kg)	Consult
159379	MSI-8000HD RF Meter/2 A/D Inputs/18-72 VDC	5 lb (2.5 kg)	Consult
159378	MSI-8000HD RF Meter/2 A/D Inputs/9-36 VDC	5 lb (2.5 kg)	Consult
176958	MSI-8000HD Wi-Fi Meter/85/265 VAC	5 lb (2.5 kg)	Consult
176960	MSI-8000HD Wi-Fi Meter/Internal Battery	5 lb (2.5 kg)	Consult
176964	MSI-8000HD Wi-Fi Meter/7-36 VDC	5 lb (2.5 kg)	Consult
176966	MSI-8000HD Wi-Fi Meter/9-36 VDC	5 lb (2.5 kg)	Consult
176968	MSI-8000HD Wi-Fi Meter/18-72 VDC	5 lb (2.5 kg)	Consult

Options/Accessories

Part #	Description	Price
155173	MSI-8000HD spare tilt stand option kit	Consult
155193	MSI-8000HD Ethernet TCP/IP option kit wired	Consult
162178	Antenna extension kit, 6 ft	Consult
148624	MSI-8000HD serial RS-232 cable	Consult
158779	MSI-8000HD two each coil relay option kit, 250 VAC/30 VDC 5A or 100 VDC 0.4A	Consult
158780	MSI-8000HD two each solid state relay option kit, 60 Vpk 2.7A	Consult
158781	MSI-8000HD two each solid state relay option kit, 200 Vpk 0.9A	Consult
149549	Universal 115/230 VAC 50/60 Hz (NA plug standard) battery charger for MSI-8000HD battery powered device	Consult
149550	Universal 115/230 VAC 50/60 Hz (international plugs) battery charger for MSI-8000HD battery powered device	Consult
171203	Audible alarm kit	Consult
176963	Serial print cable	Consult
Relays		
172490	Expanded relay kit, Four-Channel, 12A 5V, Latching relays	Consult
172492	Expanded relay kit, Four-Channel, 12A 5V, Momentary relays	Consult
Consult	Expanded relay kit, Four-Channel, 0.9A 200Vpk, AC/DC Solid State relays	Consult
172495	Expanded relay kit, Eight-Channel, 12A 5V, Momentary relays	Consult
172500	Expanded relay option kit, Four-Channel, 3A, 60Vpk Solid State Form C relays	Consult
172501	Expanded relay option kit, Eight-Channel, 3A 60Vpk, Solid State Form C relays	Consult
172502	Expanded relay option kit, Eight-Channel, 0.9A 200Vpk, Solid State Form C relays	Consult
171676	Expanded relay option kit, Eight-Channel, 12A 5V, Latching relays	Consult