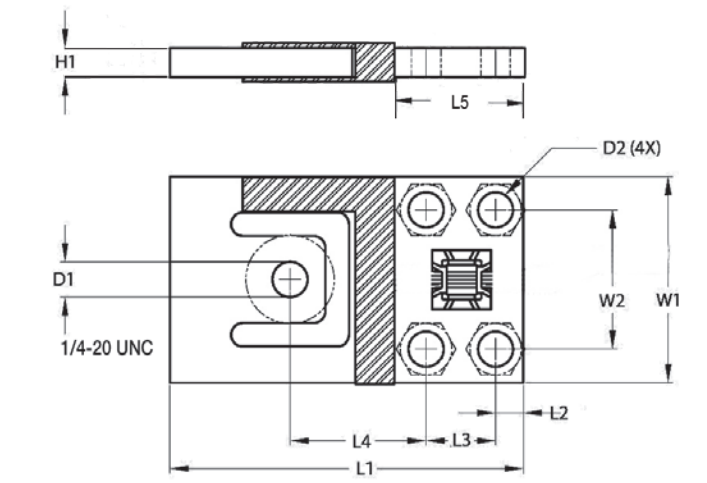


**Order Information**

Load Rating	Part #	Est. Weight	Price
15 kg	96361	1 lb	Consult
37.5 kg	96362	1 lb	Consult
75 kg	96363	1 lb	Consult
150 kg	96364	1 lb	Consult

**Dimensions**

Rated Capacity	L1	L2	L3	L4	L5	W1	W2	H1	D1	D2	Deflection (mm) at E max
kg/mm											
15	70.0	4.9	14.0	28.0	23.7	39.0	27.8	4.1	7.6	5.1	0.3
37.5	76.2	6.0	15.0	29.3	27.0	44.5	30.0	4.8	7.6	6.6	0.4
75	84.4	6.4	15.0	34.0	27.7	54.8	30.0	6.4	7.6	6.6	0.4
150	107.3	7.8	22.9	45.9	38.4	69.9	44.5	7.9	9.1	8.1	0.6



**Interchangeable Products**

RICE LAKE WEIGHING SYSTEMS

**RLBLP** ..... page 172

**Specifications**

**Full Scale Output:**

1 mV/V  
mV/V/ohm calibration

**Output Resistance:**

1,000 (± 10) ohm

**Input Resistance:**

1,180 (± 50) ohm

**Material/Finish:**

Aluminum

**Temperature:**

Operating range  
0 °F to 150 °F (-18 °C to 65 °C)

**Seal Type:**

Environmentally sealed, IP65

**Safe Overload:**

150% full scale

**Rated Excitation:**

5 to 10 VDC

**Combined Error:**

0.060% full scale

**Insulation Resistance:**

5,000 megohm

**Cable Length:**

1.5 m

**Cable Color Code:**

Green +Excitation  
Black -Excitation  
White +Signal  
Red -Signal  
Yellow Shield

**Warranty:**

One-year limited