

882IS/882IS Plus

Intrinsically Safe Digital Weight Indicator

Solo Basculas

SOLUCIONES DE PESO



Approvals



*UL is only applicable to 882IS I/O and battery charger

Standard Features

- LCD display with white LED backlight
- T4 temperature rating
- Battery life display icon
- Numeric keypad (882IS Plus)
- Duplex fiber-optic interface
- Power ON/OFF; battery save mode
- Configurable local/remote mode
- I/O module option: one serial port, optional analog output, optional fieldbus cards, Ethernet TCP/IP
- Time & date (requires I/O module)
- Setpoint functionality using secondary indicator
- FM Entity Approved for use in hazardous locations per Rice Lake Weighing Systems control drawing file number 180948

Rice Lake Weighing Systems warrants that all Rice Lake Weighing Systems intrinsically safe (IS) equipment and systems installed by a qualified electrician will operate per written specifications as confirmed by the distributor/OEM and accepted by Rice Lake Weighing Systems. All systems and components are warranted against defects in materials and workmanship for one year. All Rice Lake Weighing Systems intrinsically safe equipment carries a Factory Mutual approval and is documented on various control drawings. Each device is manufactured by Rice Lake Weighing Systems factory authorized personnel. To preserve the warranty and Factory Mutual approval, all repairs or replacement of circuit boards or components housed within the enclosures must be performed by Rice Lake Weighing Systems factory authorized personnel.



CAUTION! The equipment contained within this Explosive Environment section requires greater attention to specification and installation guidelines. Improper specification, installation or service of these products can result in loss of equipment or serious injury.

Specifications

Power:

Input: 5.8 to 7.9 VDC, 100 to 175 mA

Power consumption:

0.25 W

Battery (optional):

60 hours with 4 × 350 ohm load cells
80 to 100 hours with 1 × 350 ohm load cell
8 to 10 hour charging time

Load Cell Excitation:

3.0 VDC at 87.5 ohm, 4.6 VDC at 700 ohm

Load Cell Current:

34 mA 4 × 350 ohm load cells or 8 × 700 ohm load cells

Load Cell Cabling:

Four- and six-wire with remote sensing (recommended)

Analog Signal Input Range:

0.6 mV/V to 4.0 mV/V

Analog Signal Sensitivity:

0.2 μV/graduation minimum
1.5 μV/graduation recommended

Resolution:

Internal: 1,000,000 counts
Display: 10,000
The maximum number of allowed graduations will vary by application

Conversion Rate:

60 updates/second

Annunciators:

Center of Zero, Gross, Net, Motion, lb, kg, oz, g

Motion Band:

Configurable to ± 1 or ± 3 graduations,
1 second delay (or Off)

Display Increments:

1, 2, 5

Display:

Seven-digit, seven-segment LCD display 121 × 24 dot matrix messaging area with white LED backlight

Keys/Buttons:

Flat membrane panel, tactile feel
882IS: Zero, Gross/Net, Tare, Print, Units Conv, Start, Stop, On/Off
882IS Plus: Zero, Gross/Net, Tare, Print, Units Conv, Start, Stop, Full numeric keypad, On/Off

Temperature:

14 °F to 104 °F (-10 °C to 40 °C)

Rating/Material:

IP66 enclosure
Stainless steel

Weight:

6.1 lb (2.8 kg)

Warranty:

One-year limited

Intrinsic Safety:

FM/cFM
Class I, II, III, Division 1, Groups ABCDEFG T4
Class I, Zone 0 AEx/Ex ia IIC T4 Ga
Zone 21 AEx/Ex ib IIIC T135°C Db
Ta = -10 °C to 40 °C (14 °F to 104 °F)
ATEX/IECEx
II 1 G Ex ia IIC T4 Ga
II 2 D Ex ib IIIC T135°C Db

Approvals:

cULus Listed*
FM Entity
ATEX
IECEx
NTEP CC 19-015
Measurement Canada AM-6124C
OIML R76/2006-A-NL1-21.11
EU Test Certificate T11166
cULus* Listed
CE Marked

*cULus is only applicable to 882IS I/O and battery charger

882IS/882IS Plus

Intrinsically Safe Digital Weight Indicator

Part Number/Price

| Part # | Description | Price |
|-------------------|--|---------|
| 882IS | | |
| 195091 | 882IS 7.5VDC with standard tilt stand | Consult |
| 185288† | 882IS with battery and charger (North American plug) | Consult |
| 194231†† | 882IS with battery and charger (EU plug) | Consult |
| 196273††† | 882IS with battery and charger (AU plug) | Consult |
| 185290 | 882IS with power supply | Consult |
| 194235 | 882IS indicator with power supply and metric thread adapter | Consult |
| 882IS Plus | | |
| 195092 | 882IS Plus 7.5 VDC with standard tilt stand | Consult |
| 185291† | 882IS Plus with battery and charger (North American plug) | Consult |
| 194233 | 882IS Plus with battery and charger (EU plug) | Consult |
| 196274††† | 882IS Plus with battery and charger (AU plug) | Consult |
| 185293 | 882IS Plus with power supply | Consult |
| 194236 | 882IS Plus indicator with power supply and metric thread adapter | Consult |



† US plug (NA) - Type B



†† Euro Plug - Type E



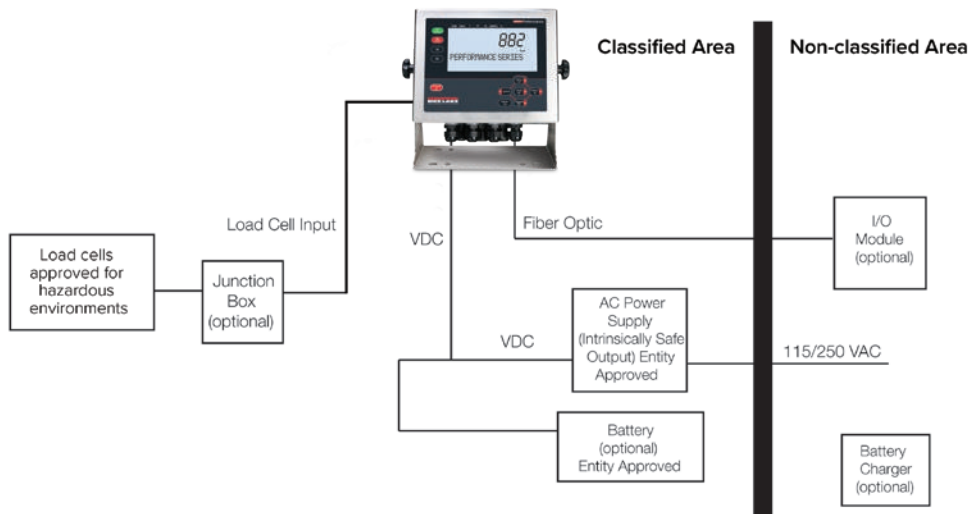
††† BS1363 (UK) - Type G



†††† AS 3112 (Australian) - Type I

Options/Accessories

| Part # | Description | Price |
|--------|--|---------|
| 180831 | Battery option, IS6V2 | Consult |
| 194191 | Battery charger, IS6V2, 100-240 VAC NEMA 5-15 (North American plug) | Consult |
| 194189 | Battery charger, IS6V2 100-240 VAC (EU plug) | Consult |
| 194192 | Battery charger, IS6V2 100-240 VAC (UK plug) | Consult |
| 197591 | Battery charger, IS6V2 100-240 VAC (Australian plug) | Consult |
| 180837 | Power supply, 882IS mb-EPS-100-240-X2, dual output 6.8 VDC 200mA | Consult |
| 195109 | Power supply, 882IS mb-EPS-100-240-X2, dual output 6.8 VDC 200mA, 1/2 in NPT-M20 | Consult |
| 179668 | Cable, M12 power 22 in hazardous location (for battery version) | Consult |
| 179669 | Cable, M12 power 10 ft hazardous location | Consult |
| 179670 | Cable, M12 power 50 ft hazardous location | Consult |
| 179671 | Cable, M12 power 100 ft hazardous location | Consult |
| 190979 | Lockout device for M12 cable | Consult |
| 163751 | Tilt stand, 882IS | Consult |
| 179678 | Tilt stand, 882IS battery option | Consult |
| 177850 | Panel mount option, gasketed non-NEMA seal | Consult |
| 206735 | Battery tester, 882IS | Consult |

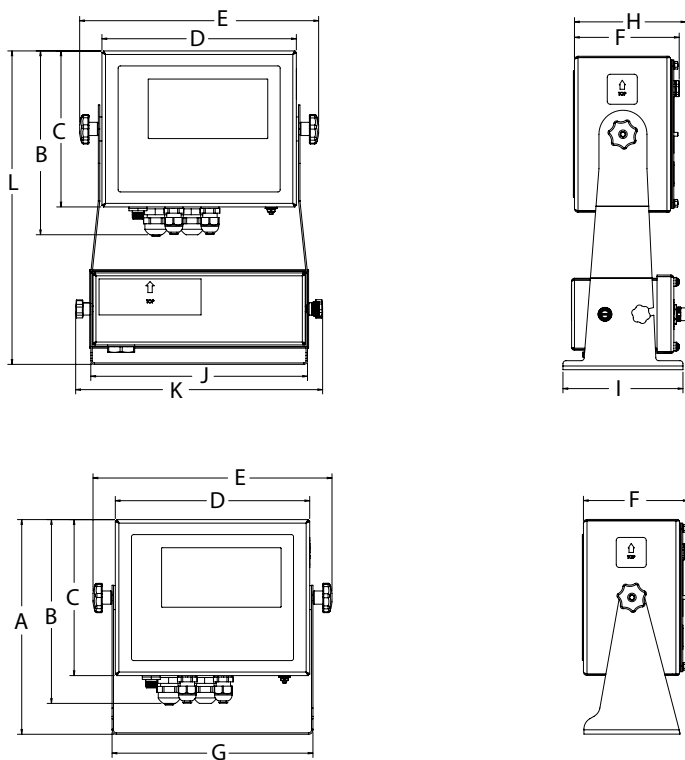


Complete Control Drawings available at www.ricelake.com

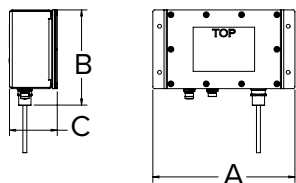
882IS/882IS Plus

Intrinsically Safe Digital Weight Indicator

| Dimensions | | | |
|--------------------------------------|------------------|---|-------------------|
| Without Battery | | | |
| A | 8.94 in (227 mm) | E | 9.96 in (253 mm) |
| B | 7.66 in (195 mm) | F | 4.36 in (111 mm) |
| C | 6.50 in (165 mm) | G | 8.37 in (213 mm) |
| D | 8.10 in (206 mm) | | |
| With Optional Battery and Tilt Stand | | | |
| H | 4.64 in (118 mm) | K | 10.29 in (261 mm) |
| I | 5.00 in (127 mm) | L | 13.06 in (332 mm) |
| J | 9.03 in (229 mm) | | |



| Dimensions | | | |
|-----------------------|------------------|---|-----------------|
| Optional Power Supply | | | |
| A | 9.25 in (235 mm) | C | 3.11 in (79 mm) |
| B | 6.20 in (158 mm) | | |



Optional I/O Module

| Part # | Description | Price |
|--|---|---------|
| 177709 | Module, 882 Smart I/O interface | Consult |
| 196166 | Module, 882 Smart I/O (EU power cord) | Consult |
| 196769 | Option, fiber/RS232 6x6 FRP enclosure, fiber-optic 232 converter, external power supply | Consult |
| 196770 | Option, fiber/RS422 6x6 FRP enclosure, fiber-optic RS422 converter, external power supply | Consult |
| 78026 | Cable, plastic optical 100 ft. includes polishing kit | Consult |
| 78027 | Cable, plastic optical 200 ft. includes polishing kit | Consult |
| 197384 | Kit, polishing POF cable | Consult |
| Option Cards | | |
| 190528 | Single analog output (0-10 VDC, 0-20 mA, 4-20 mA) | Consult |
| 190530 | 882 option, Ethernet/IP | Consult |
| 190531 | 882 option, DeviceNet | Consult |
| 190532 | 882 option, ProfiNet | Consult |
| 190534 | 882 option, Profibus | Consult |
| 190533 | 882 option, Modbus TCP | Consult |
| 190535 | 882 option, EtherCAT | Consult |
| Remote Indicator for Setpoint Functionality | | |
| 203343 | 920i universal indicator, 115 VAC, no A/D, with 882IS iRite software for setpoints | Consult |
| 203344 | 920i wall mount indicator, 115 VAC, no A/D, with 882IS iRite software for setpoints | Consult |

| Dimensions | | | |
|---------------------|-------------------|---|------------------|
| Optional I/O Module | | | |
| A | 10.00 in (254 mm) | D | 4.00 in (102 mm) |
| B | 9.13 in (232 mm) | E | 2.75 in (70 mm) |
| C | 6.91 in (176 mm) | F | 1.50 in (38 mm) |

