

Picture is a representation of actual product

Approvals



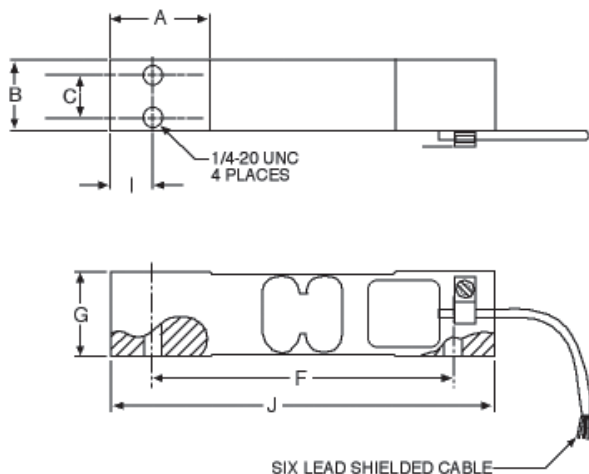
Order Information

Load Rating	Part #	Est. Weight	Price
1.5 m Cable			
7.5 kg	53485	2 lb	Consult
10 kg	112374	2 lb	Consult
15 kg	53486	2 lb	Consult
30 kg	53487	2 lb	Consult
50 kg	53488	2 lb	Consult
100 kg*	53490	2 lb	Consult
3 m Cable			
7.5 kg	111381	2 lb	Consult
10 kg	112365	2 lb	Consult
15 kg	114132	2 lb	Consult
30 kg	114133	2 lb	Consult
25 ft Cable Trimmed Outputs			
15 kg	124512	2 lb	Consult
30 kg	124513	2 lb	Consult

*Non-NTEP Certified

Dimensions

Rated Capacity	A	B	C	F	G	I	J
kg/mm							
7.5 to 100	35.0	25.0	15.0	106.0	30.0	14.5	135.0



Interchangeable Products

AVERY WEIGH-TRONIX®
MK29

Specifications

Full Scale Output:
2.0 mV/V

Output Resistance:
350 (± 3) ohm

Input Resistance:
385 (± 15) ohm

Material/Finish:
Stainless steel

Temperature:
Compensated range
14 °F to 104 °F (-10 °C to 40 °C)
Operating range
0 °F to 150 °F (-18 °C to 65 °C)

Seal Type:
Environmentally sealed, IP66

Safe Overload:
200% full scale, at center loading point

Rated Excitation:
5 to 10 VDC (15 V maximum)

Total Error:
0.02% full scale

Insulation Resistance:
2,000 megohm

Deflection at Capacity:
0.015 in

Cable Length:
1.5 m
3 m
25 ft

Cable Diameter:
0.200 in
PVC jacket

Cable Color Code:
Green +Excitation
Black -Excitation
Red +Signal
White -Signal
Blue +Sense
Brown -Sense

Platform Size:
15.75 × 15.75 in

Warranty:
One-year limited

Approvals:
cFMus
NTEP